

MDVRHB9806

ViewXtation

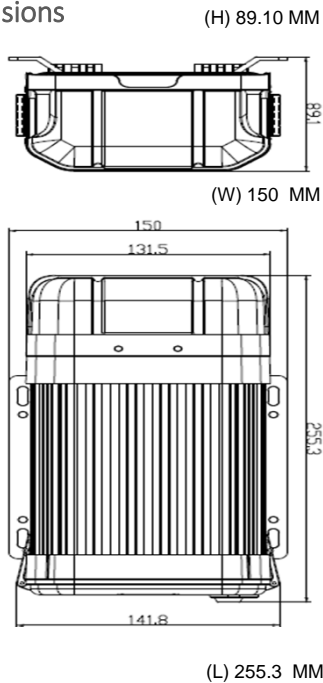
Hybrid Mobile Digital Recorder



Key Features

- 4 channel @ WD1 / 2 channels @720
- Hard disk for main recording (1) TB (Included)
- SD card for mirror recording (Not Included)
- GPS for location tracking (Included)
- WIFI for video files download (optional)
- Built-in 3G/4G for live view and remote management (Included)
- Brand new and sleek metal design
- Upgraded software performance
- Adopts to rich interfaces
- Certificates: CE, FCC

Dimensions



Model	MDVRHB9806	
Function Overview	Preview, Recording, Playback, Network, Locating	
System	OS	Linux 3.0.8
	Control Mode	LCDCP7-TS, MNVR-EC, Network, Mouse
Video	Video Input	4 channels WD1 + 2 channel 720P
	Video Output	1 channel (Aviation-din X1)
	Total Resource	(4 x 30)FPS WD1 NISTC / (4 x 25)FPS WD1 PAL / (2 x 30)FPS 720P
	Video Signal Standard	Electrical level: 1Vpp Impedance : 75Ω NTSC/PAL Optional
	Video system	NTSC / PAL (optional)
Audio	Audio Input	6 channels (Including IPC x 2)
	Audio Output	1 channel
	Audio Signal Standard	Electrical level: 2Vpp Input impedance: 4.7kΩ
Display	Display Split	1/4/9
	OSD	GPS information, alarm, vehicle No., speed, date/time
	Operation Interface	Semi-transparent GUI
Recording	Video/Audio Compression	H.264 / ADPCM, G.711A, G.711U
	Image Resolution	Analog: NTSC: WD1(928X480), WHD1(928X240), WCIF(464X240), D1(704x480), HD1(704x240), CIF(352x240) PAL: WD1(928X576), WHD1(928X288), WCIF(464X288), D1(704X576), HD1(704x288), CIF(352x288) Digital: 720P(1280X720)
	Image Quality	1-8 levels adjustable (1 is the best)
	Recording Mode	Boot up/Manual/Schedule/Alarm (sensor trigger, speed, acceleration, video loss,
	Pre-recording	0-60minutes
	Post-recording	0-30minutes
	Mirror Dual Recording	Yes (Using SD Cards) <i>Front OR Rear</i>
Playback	Playback Channel	1 channel by local playback
	Search Mode	Date/time, channel, event
Network	Ethernet	RJ45(100M) x1
	IPC Ethernet	6 pin DJ (100Mx4,PON Power Supply)
	WIFI	Supports(802.11b/g/n) (Optional)
	3G/4G	EVDO/WCDMA/LTE (Included)
Location	GPS	location tracking, speed detection and time sync (Included)
Storage	Hard Disk	2.5" SATA hard disk x 1 (1) TB (Included)
Interface	USB	USB2.0 x 2 (One for MDVR-EC, one for external mirror recording)
	SD Card	SD Card X2 - <i>Recommended</i> (32GB / 64GB / 128GB/ Class 10/ SDHC Card Front (not included), Rear (Included in XTS-MDVR-FB - Optional)
	RS232	RS232 x 2
	RS485	RS485 x 2
	Serial	G-Sensor (Internal)
	Sensor	8 inputs, 2 outputs
	Speed	1 channel pulse speed detection
	Intercommunication	Interface LCDCP7-TS (Optional)
Power	Input	DC8-36V
	Output	12V@1A, 5V@1A
	Max Power Consumption	79.2W
	Standby PowerConsumption	≈0W
Physical Characteristics	Dimension (L x W x H)	255.3mm x 150mm x 89.1mm
	Weight	2.2kg / 4.85 lb
Environment	Operating Temperature	-40°C- +70°C(With heater) or -10°C- +70°C
	Operating Relative	8%-90% (No Condensation)
Certifications	CE	Yes
	FCC	Yes
	Water Proof Rate	IP54